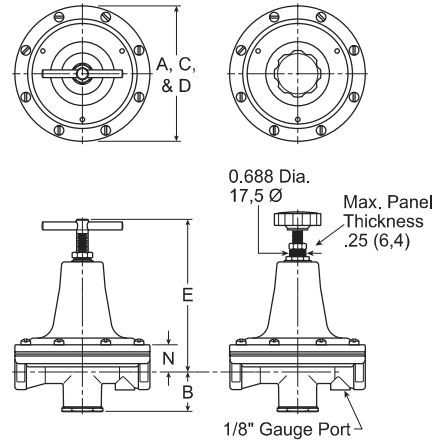


## R216 Precision Regulators



### Features

- High Flow Performance Featuring Rugged Design for the Most Demanding Applications
- Ideal for Those Installations Calling for Constant Pressure with Wide Variation in Flow
- Diaphragm Operated with Large Surface Area and Aspirator for Quick and Precise Regulation
- Heavy Duty Tee Handle Adjustment
- Panel Mount Version Available
- High Flow: 1/4" & 3/8" - 40 SCFM<sup>§</sup>



Port Size	NPT Relieving	BSPP Relieving
<b>Tee Handle, Without Gauge 0-20 PSIG Reduced Pressure</b>		
1/4"	<b>R216-02F</b>	R216G02F
3/8"	<b>R216-03F</b>	R216G03F
<b>Hand Wheel Knob, Without Gauge 0-20 PSIG Reduced Pressure</b>		
1/4"	<b>R216-02FP</b>	R216G02FP
3/8"	<b>R216-03FP</b>	R216G03FP

R216 Regulator Dimensions					
A	B	C	D	E	N
<b>R216-02F, R216-03F</b>					
4.25 (108)	1.24 (31.6)	4.25 (108)	4.25 (108)	4.78 (121)	0.85 (21.5)
<b>R216-02FP, R216-03FP</b>					
4.25 (108)	1.24 (31.6)	4.25 (108)	4.25 (108)	4.78 (121)	0.85 (21.5)

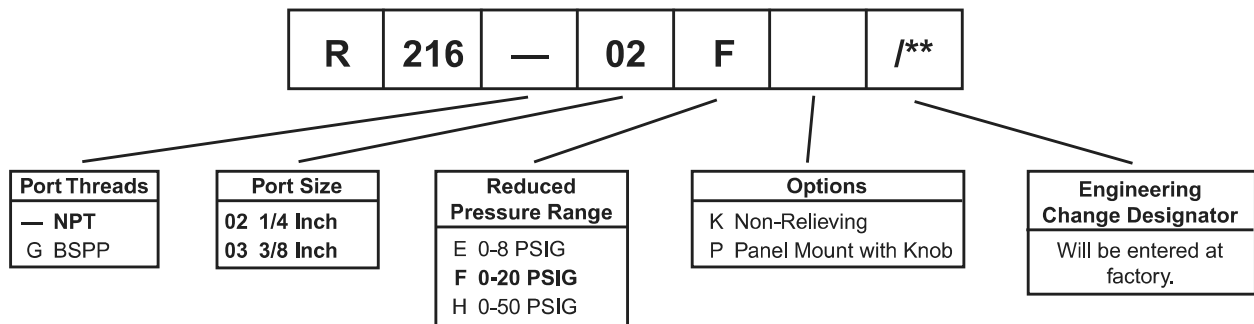
inches  
(mm)

**Bold Items are Most Popular.**

For other models refer to ordering information below.

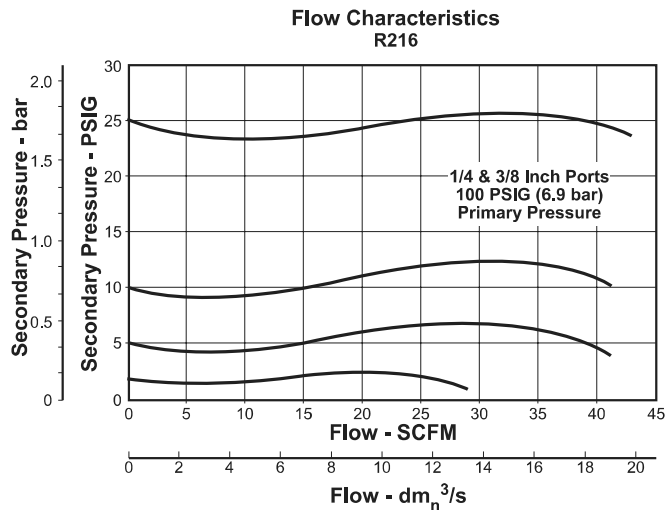
§ SCFM = Standard cubic feet per minute at 100 PSIG inlet, 75 PSIG no flow secondary setting, and 20 PSIG pressure drop.

### Ordering Information



**BOLD ITEMS ARE MOST POPULAR.**

Technical Information



**⚠ WARNING**

**Product rupture can cause serious injury.  
Do not connect regulator to bottled gas.  
Do not exceed maximum primary pressure rating.**

**⚠ CAUTION:**

**REGULATOR PRESSURE ADJUSTMENT** – The working range of knob adjustment is designed to permit outlet pressures within their full range. Pressure adjustment beyond this range is also possible because the knob is not a limiting device. This is a common characteristic of most industrial regulators, and limiting devices may be obtained only by special design. For best performance, regulated pressure should always be set by increasing the pressure up to the desired setting.

**R216 Regulator Kits & Accessories**

- Round Plastic Knob ..... 118Y51
- Panel Mount Conversion Kit  
(Spring Cage, Knob, Hardware) ..... 4206
- Repair Kits –
  - Non-Relieving Diaphragm,  
Valve Assembly (1/4", 3/8") .....RK216KY
  - Relieving Diaphragm,  
Valve Assembly (1/4", 3/8") ..... RK216Y

**Specifications**

- Gauge Port (1) ..... 1/8 Inch
- Port Threads ..... 1/4, 3/8 Inch
- Reduced Pressure Range ..... 0.5 to 20 PSIG (0.03 to 1.4 bar)
- Supply Pressure ..... 300 PSIG Maximum (20.4 bar)
- Temperature Rating ..... 40°F to 125°F (4.4°C to 52°C)
- Weight ..... 2.2 lb. (1.00 kg) / Unit  
18 lb. (8.16 kg) / 8-Unit Master Pack

**Materials of Construction**

- Body, Spring Cage .....Zinc
- Bottom Plug ..... Brass
- Seals ..... Buna N